

TOPSYTURVY

LED

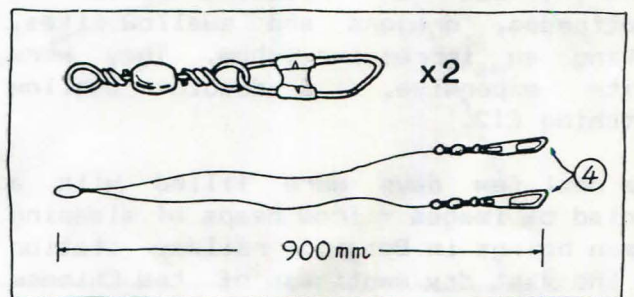
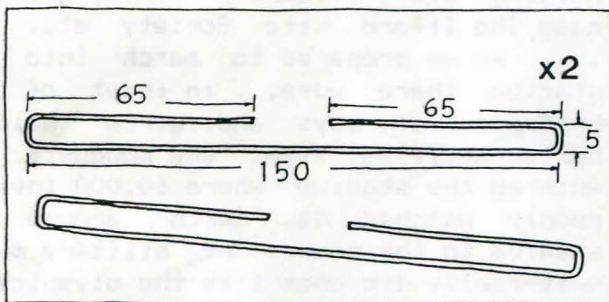
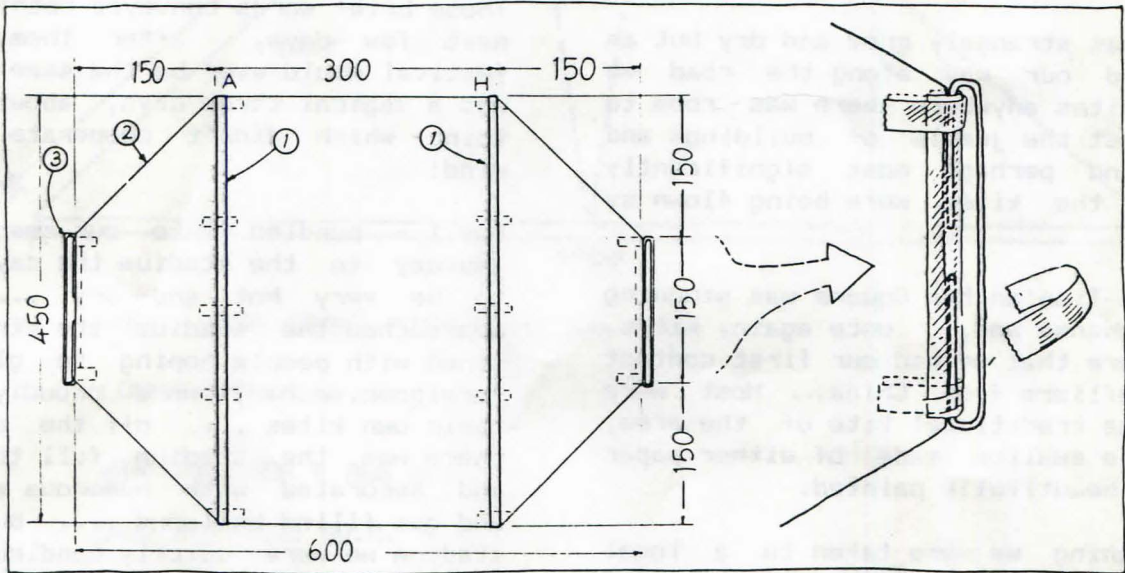
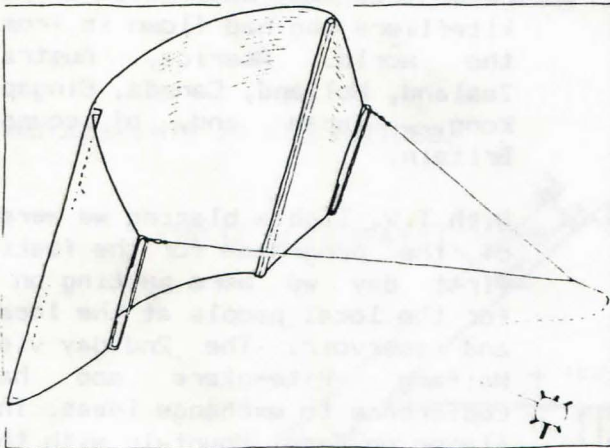
FROM

Magic Kites - Cubic Kites

by Takaji Kuroda

\$ 8.95 from

Kite Lines Bookstore.



- MATERIALS : 1. 2 x 3mm dowels 450mm long.
2. Polythene sheet 600mm x 450mm.
3. 2 pieces of wire 290mm x 1mm.
4. 2 swivel clips.

This simple sled kite can be flipped upside down by a quick flick of the flying line, lending itself to changable decoration. Happy faces into sad faces. Kuroda's book , although written in japanese , is filled with ideas for kites that change their form in mid-air. Well worth the effort in getting a copy from the Kitelines Bookshop.