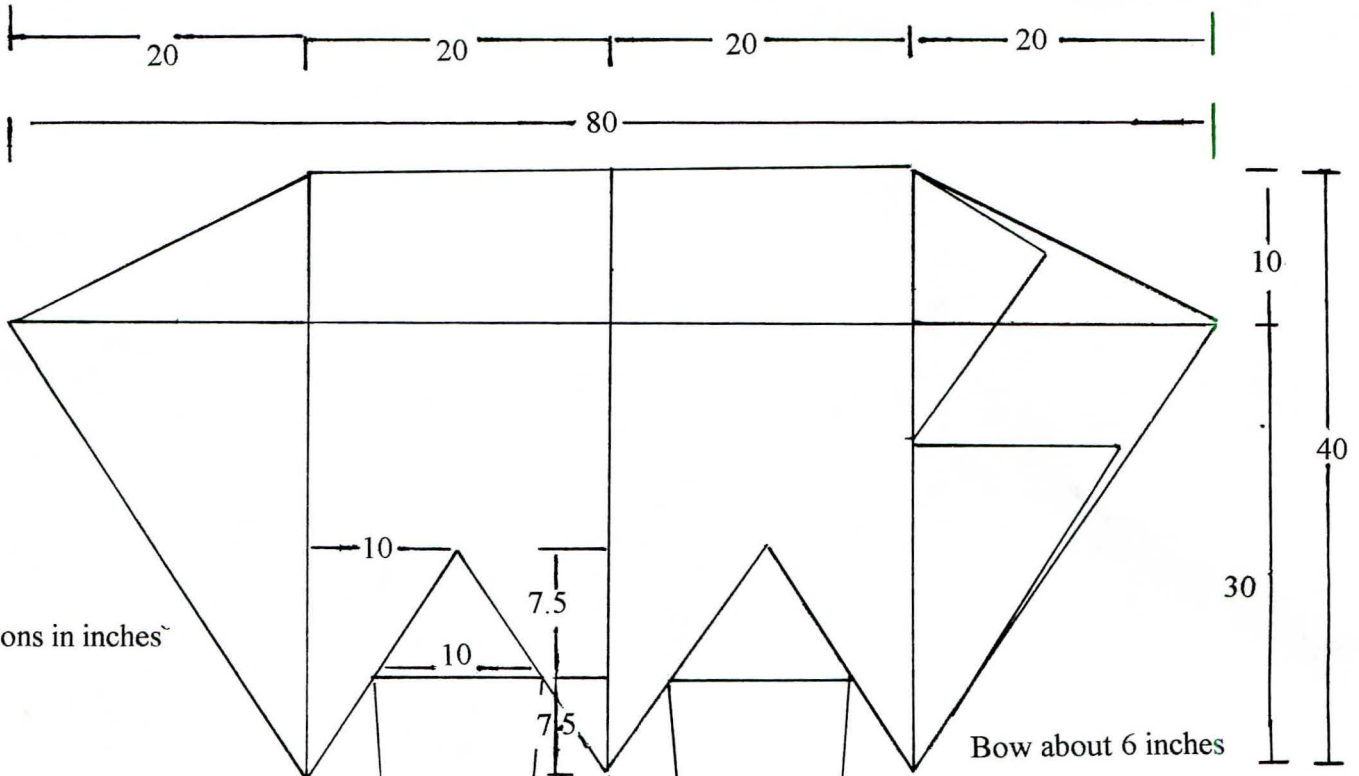
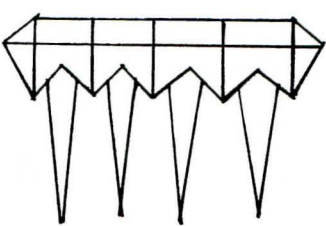


THE ICICLES KITE



Dimensions in inches

This idea could be extended by adding more centre sections i.e.



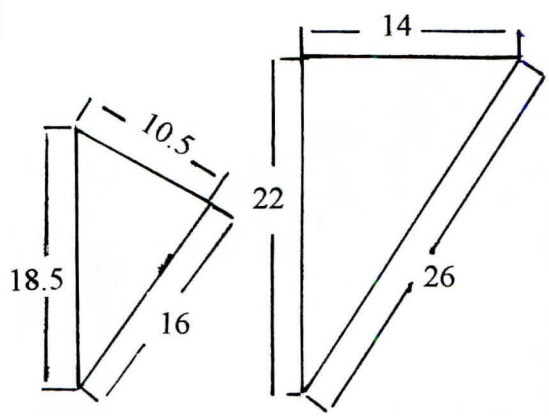
Tails could also be used like this on other kites

i.e. Sleds, Deltas, Hexagons etc.

I use two parts for the centre panels potential for interesting design here.

Tail length is arbitrary
I use about 20 - 25 feet

Alternative tail shapes.



Left and Centre Flares Omitted

This kite is the result of me varying the shape of the flare kite in W Schimmelpfennigs book while looking for a new shape with an interesting visual effect.

In flight the tails tend to twist in opposite directions. Light dowels or drinking straws taped across the tails should stop this but crinkling the tails vertically also seems to work, though it may look a bit messy.

Construction is as for the flare, with the spines pocketed, but the spar can be fixed to the spines by using ties. I use 6mm dowel or the spines and two 8mm dowels connected with brass tube for the spar.

Robin Foley