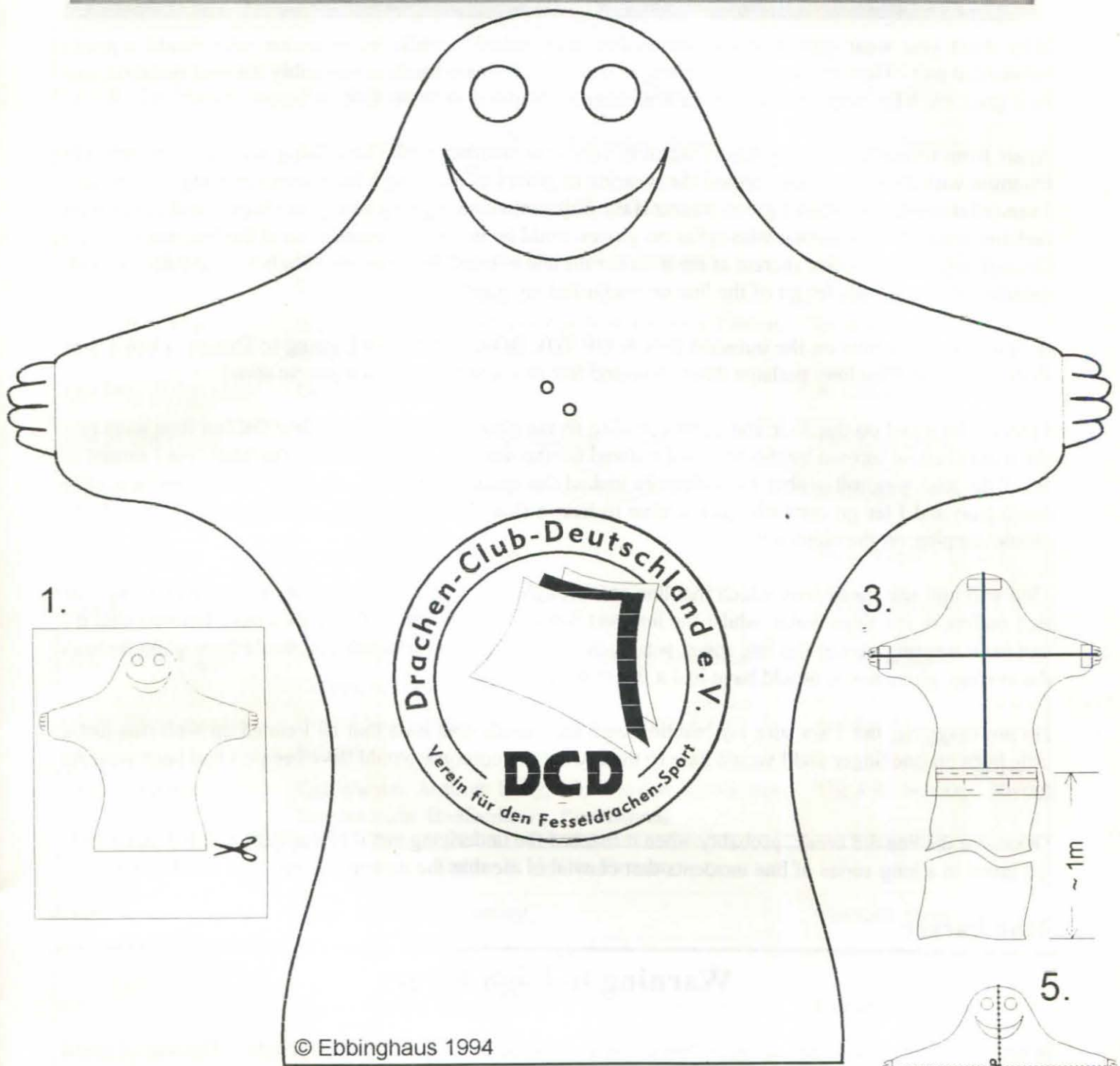
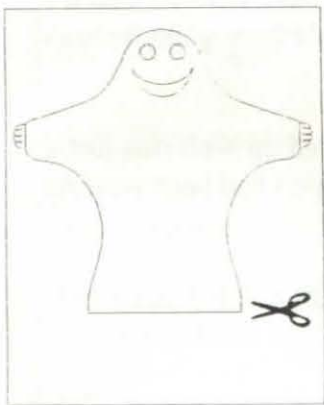


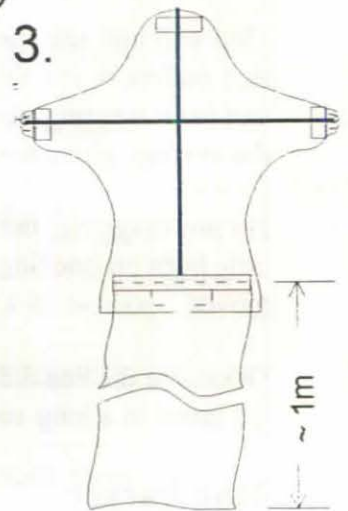
# Ghost Kite



1.

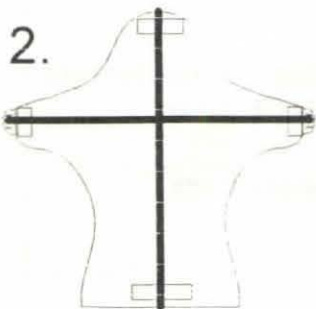


3.

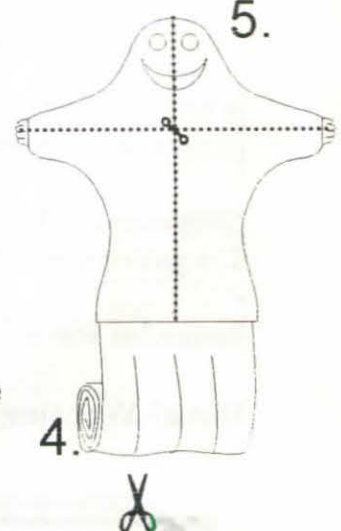


© Ebbinghaus 1994

2.



5.



1. Cut out the ghost with sharp scissors.
2. Glue the straws with scotch tape on the back of the ghost.
3. Glue the plastic tail with scotch tape on the back of the ghost.
4. Roll off the tail and cut it in 4 small stripes.
5. Punch small holes for the line (~ 1m sewing thread) and fix the line with a knot.
6. Knot the other end of the line to a wooden stick (Ø 5mm / 0,5m long).

Reproduced with permission of the Drachen Club Deutschland.