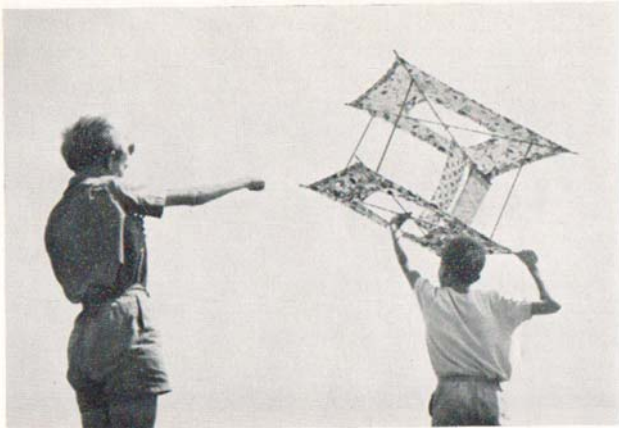
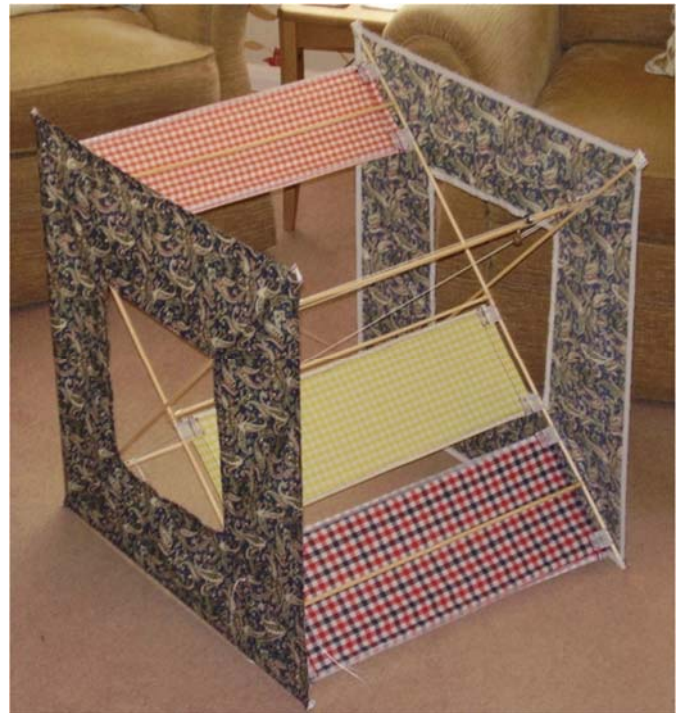


## Double Ring Kite Revisited—Mark Harding

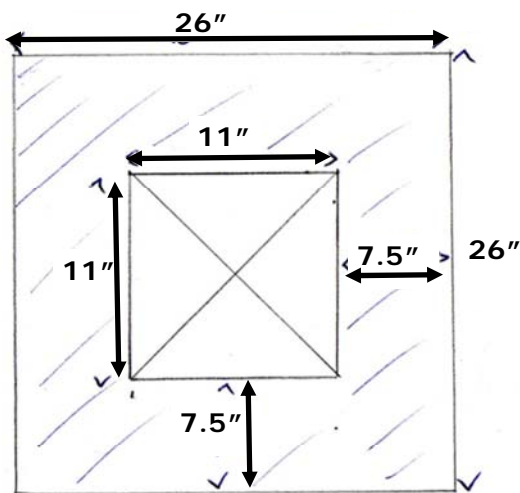
Since I published the plan for the double ring kite in July 2014 I have made some adjustments to the kite which have much improved its performance. Please see the diagram to the left setting out the revised measurements and picture below.

The construction method is as set out in the July 2014 edition of the Kite flyer magazine.

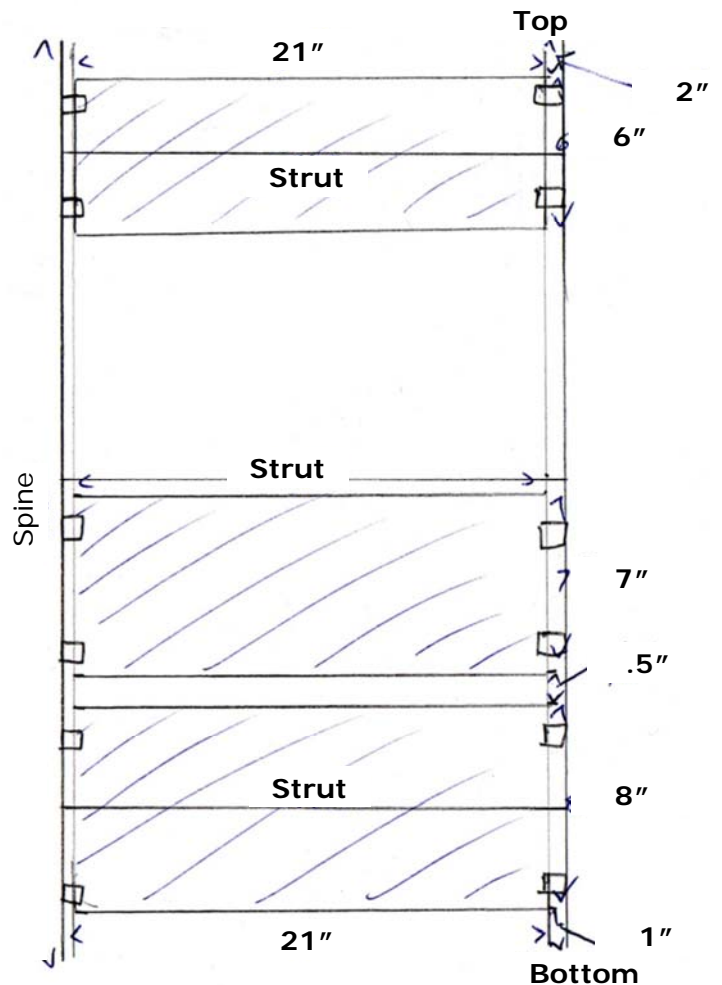


20. Type of box kite

### Ring Parts (x 2)



### Keel Parts



### Spines x 4

Measure about 36.5" approx.

### Keel Braces X Spacing Struts x 5

Measure about 21.75" approx.

Plastic Joints—10